

MINI - STORED PRESSURE

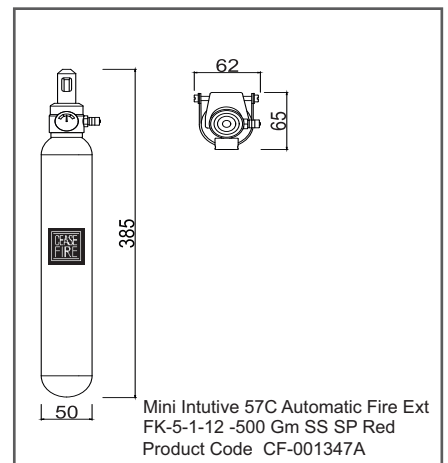
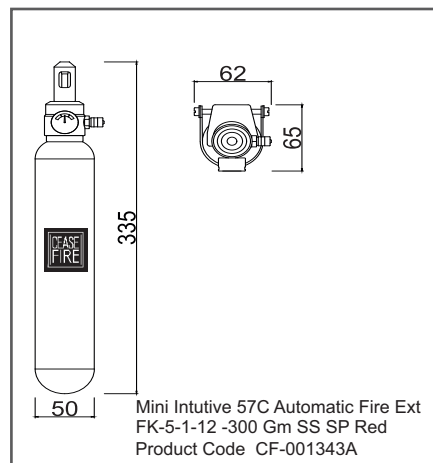
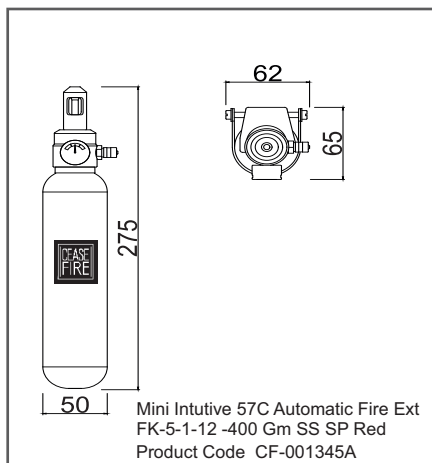
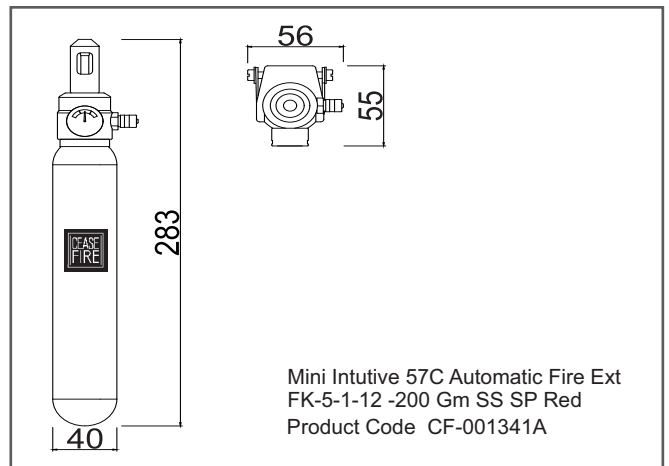
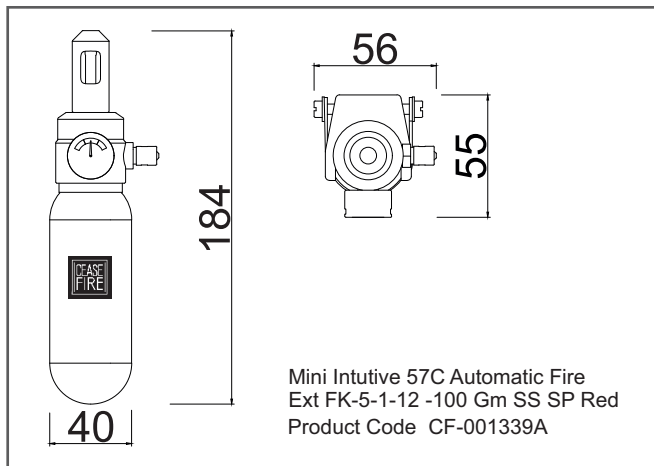
INTUTIVE (PRODUCT OVERVIEW)

Small in size but not in might. Being the smallest suppression system - Mini has enough might to fire secure small enclosed spaces. Ceasefire Mini-Intuitive System being a direct suppression system protects the enclosed micro-environment from inside. As soon as it is mounted on the inner wall of the micro-environment, the Mini is instantly ready to safeguard. Mini being fully automatic can detect, actuate, and suppress fires without any form of human intervention. At the same time, it is available in Fluroketone which happens to be a cold gas, therefore, extinguishes fire by absorbing heat from it. After being sprayed it leaves behind no residue and works on class A, B, C, and Electrically started fires.

The clean agent based variant does not fall under the ambit of the F-Gas Regulations



ENGINEERING DRAWINGS





TECHNICAL SPECIFICATIONS

Product Code	UOM	CF-001339A	CF-001341A	CF-001343A	CF-001345A	CF-001347A
Description	—	Mini Intutive 57°C Automatic Fire Ext (FK-5-1-12) -100 Gm SS SP Red	Mini Intutive 57°C Automatic Fire Ext (FK-5-1-12) - 200 Gm SS SP Red	Mini Intutive 57°C Automatic Fire Ext (FK-5-1-12) -300 Gm SS SP Red	Mini Intutive 57°C Automatic Fire Ext (FK-5-1-12) -400 Gm SS SP Red	Mini Intutive 57°C Automatic Fire Ext (FK-5-1-12) -500 Gm SS SP Red
Capacity of Agent	GRMS	100	200	300	400	500
Certification	—	PED UKCA-PED BSI TESTED	PED UKCA-PED BSI TESTED	PED UKCA-PED BSI TESTED	PED UKCA-PED BSI TESTED	PED UKCA-PED BSI TESTED
Diameter of Shell	MM	40	40	50	50	50
Total Height (approx.)	MM	184	284	276	331	386
MOC of Shell	—	SS 316L (1.4435)	SS 316L (1.4435)	SS 316L (1.4435)	SS 316L (1.4435)	SS 316L (1.4435)
Mini. Wall Thickness	MM	1.2	1.2	1.2	1.2	1.2
Test Pressure	BAR	35	35	35	35	35
Anti-Corrosive Treatment	—	Outer surfaces are EP Powder coated having Thickness 50 Micron Min. RAL Shade 3000	Outer surfaces are EP Powder coated having Thickness 50 Micron Min. RAL Shade 3000	Outer surfaces are EP Powder coated having Thickness 50 Micron Min. RAL Shade 3000	Outer surfaces are EP Powder coated having Thickness 50 Micron Min. RAL Shade 3000	Outer surfaces are EP Powder coated having Thickness 50 Micron Min. RAL Shade 3000
Service Pressure	BAR	10 / 12	10 / 12	10 / 12	10 / 12	10 / 12
Type of Operating Mechanism	—	Automatic	Automatic	Automatic	Automatic	Automatic
Type of Pressure Gauge	—	Magnetic Bourdon Tube Type	Magnetic Bourdon Tube Type	Magnetic Bourdon Tube Type	Magnetic Bourdon Tube Type	Magnetic Bourdon Tube Type



Product Code	UOM	CF-001339A	CF-001341A	CF-001343A	CF-001345A	CF-001347A
Type of Dis. Fitting & Length	MM	Direct Nozzle	Direct Nozzle	Direct Nozzle	Direct Nozzle	Direct Nozzle
Coverage Volume	m ³	0.130	0.260	0.290	0.520	0.650
Min. Discharge Time	Sec.	1 to 3	1 to 3	1 to 3	1 to 3	1 to 3
Fire Rating	—	NA	NA	NA	NA	NA
Operating Temperature Range	°C	57°	57°	57°	57°	57°
Applicable to Type of Fire	—	A, B, C ,& Electrical Started Fire	A, B, C ,& Electrical Started Fire	A, B, C ,& Electrical Started Fire	A, B, C ,& Electrical Started Fire	A, B, C ,& Electrical Started Fire
Filled Weight Range**	KG	Approx 0.665	Approx 0.90	Approx 1.10	Approx 1.25	Approx 1.4
Packed Weight Range (approx)***	KG	0.95	1.2	1.38	1.6	1.74
Packed Size Length x Width x Height	MM	75 x 75 x 205	75 x 75 x 305	75 x 80 x 395	75 x 80 x 355	75 x 80 x 405
Product Warranty	YEAR	5	5	5	5	5

**It includes Empty Extinguisher, Contents, QBD / Barrel.

***It includes Empty Extinguisher, Packaging, Contents, QBD / Barrel.

QUARTZOID BULB KEY

- 57°C / 135°F
- 68°C / 155°F
- 79°C / 174°F
- 93°C / 200°F
- 141°C / 286°F
- 182°C / 360°F
- 227°C / 440°F

CERTIFICATIONS



PRODUCT PICTURES



100 GM

200 GM

300 GM

400 GM

500 GM

*v2' Published Date is 14-07-2023.

**Regular R&D and product improvisations may lead to change in product specifications in this data sheet, without any prior notice.

CEASEFIRE INDUSTRIES UK LIMITED

Call us at: 0-113-868-6666, 0-126-891-9999

www.ceasefire.co.uk