

# WATER MIST BASED PORTABLE EXTINGUISHERS

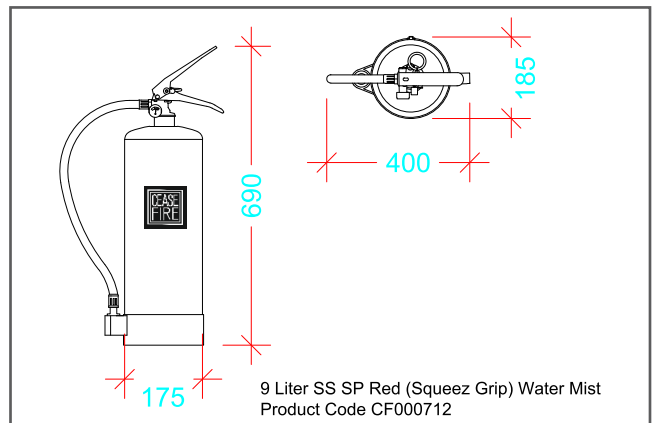
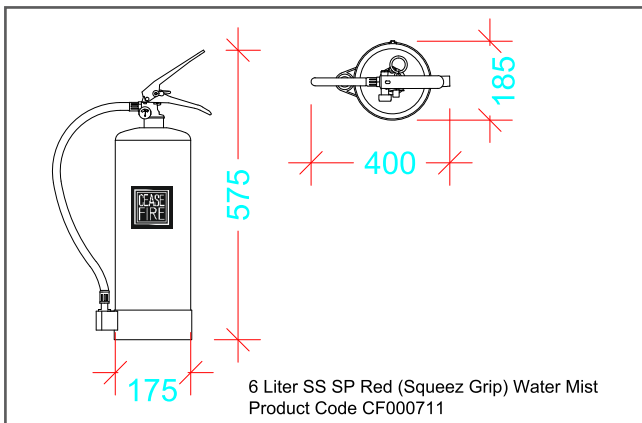
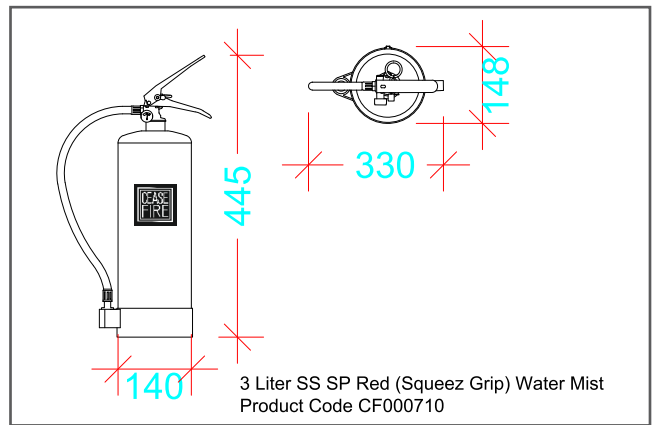
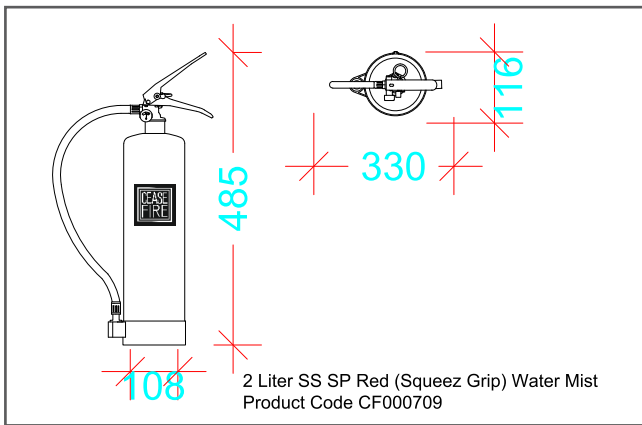
## PRODUCT OVERVIEW

The revolutionary new Watermist Extinguishers are designed to combat Class A, F, and electrically started fires. Specially designed rotors in the extinguisher mixes water and air in a pre-set proportion to generate a fine mist of 40–60-micron molecules. These tiny droplets have a surface area coverage many times higher than water. The mist is then propelled through a specially designed nozzle, giving it a large throw.

On coming into contact with the flames, it turns into steam and envelops the flames. The water cools the fire below combustion levels and cuts off the oxygen supply. Without oxygen or heat, the fire dies out in seconds. This isn't water in its natural state, the dangers of electrocution and flooding are eliminated. This means the powerful, reliable, and efficient extinguisher can be used on most kinds of fires, including electrically started fires.



## ENGINEERING DRAWINGS





## TECHNICAL SPECIFICATIONS

Product Code	UOM	CF-000709	CF-000710	CF-000711	CF-000712
Description	—	Fire Ext Water Mist 2L SS SP Red	Fire Ext Water Mist 3L SS SP Red	Fire Ext Water Mist 6L SS SP Red	Fire Ext Water Mist 9L SS SP Red
Capacity of Agent	L	2-5%	3-5%	6-5%	9-5%
Certification	—	PED EN3	PED EN3	PED EN3	PED EN3
Diameter of Shell	MM	108	140	175	175
Total Height (approx.)	MM	485	445	575	690
MOC of Shell	—	SS 304 (1.4301)	SS 304 (1.4301)	SS 304 (1.4301)	SS 304 (1.4301)
Mini. Wall Thickness	MM	1.5	1.5	1.39	1.49
Test Pressure	BAR	35	35	35	35
Anti-Corrosive Treatment	—	Outer surfaces were EP Powder coated having Thickness 50 Micron Min. RAL Shade 3000	Outer surfaces were EP Powder coated having Thickness 50 Micron Min. RAL Shade 3000	Outer surfaces were EP Powder coated having Thickness 50 Micron Min. RAL Shade 3000	Outer surfaces were EP Powder coated having Thickness 50 Micron Min. RAL Shade 3000
Service Pressure	BAR	15	15	15	15
Type of Operating Mechanism	—	Squeeze Grip with NRV and Burst Disc.	Squeeze Grip with NRV and Burst Disc.	Squeeze Grip with NRV and Burst Disc.	Squeeze Grip with NRV and Burst Disc.
Type of Pressure Gauge	—	Magnetic Bourdon Tube Type	Magnetic Bourdon Tube Type	Magnetic Bourdon Tube Type	Magnetic Bourdon Tube Type

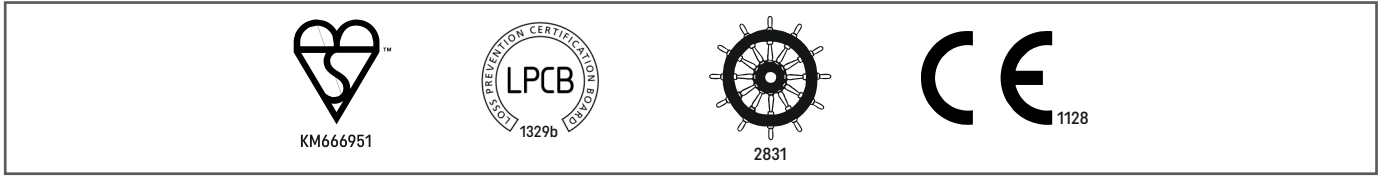


Product Code	UOM	CF-000709	CF-000710	CF-000711	CF-000712
<b>Type of Dis. Fitting &amp; Length</b>	MM	EPDM Rubber Braided Hose Pipe with nozzle Length of Hose 300 mm (Min.)	EPDM Rubber Braided Hose Pipe with nozzle Length of Hose 300 mm (Min.)	EPDM Rubber Braided Hose Pipe with nozzle Length of Hose 500 mm (Min.)	EPDM Rubber Braided Hose Pipe with nozzle Length of Hose 600 mm (Min.)
<b>Throw</b>	METER	3	3	3	3
<b>Min. Discharge Time</b>	SEC.	6	9	9	9
<b>Fire Rating</b>	—	5A   25F	8A   25F	13A   75F	21A   75F
<b>Operating Temperature Range</b>	°C	From +5°C to +60°C	From +5°C to +60°C	From +5°C to +60°C	From +5°C to +60°C
<b>Applicable to Type of Fire</b>	—	A, F & Electrical Started Fire	A, F & Electrical Started Fire	A, F & Electrical Started Fire	A, F & Electrical Started Fire
<b>Filled Weight Range*</b>	KG	Approx. 4.50	Approx 5.90	Approx 10.60	Approx 14.60
<b>Packed Weight Range (approx)**</b>	KG	4.95	6.35	11.2	15
<b>Packed Size Length x Width x Height</b>	MM	125 x 125 x 520	160 x 160 x 470	190 x 195 x 610	190 x 195 x 735
<b>Product Warranty</b>	YEAR	5	5	5	5

\*It includes Empty Extinguisher, Contents, Plastic Base, Hose / Horn and bracket.

\*\*It includes Empty Extinguisher, Packaging, Contents, Plastic Base, Hose / Horn and bracket.

## CERTIFICATIONS



## PRODUCT PICTURES



2L

3L

6L

9L

\*v1' Published Date is 31-07-2022.

\*\*Regular R&D and product improvisations may lead to change in product specifications in this data sheet, without any prior notice.