

# WET CHEMICAL-BASED PORTABLE EXTINGUISHERS

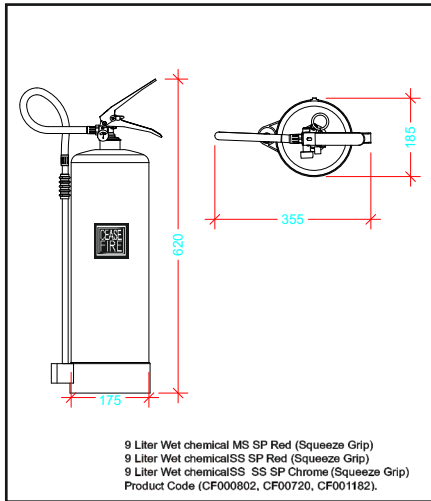
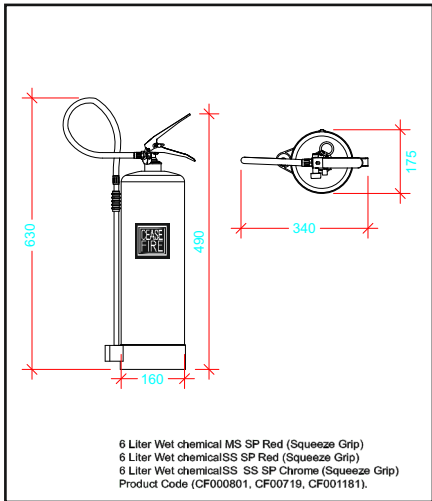
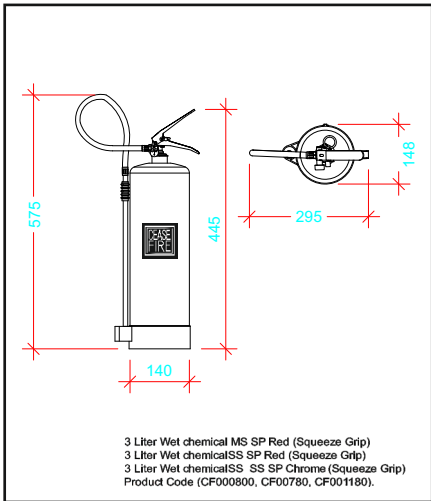
## PRODUCT OVERVIEW

There is no denying the fact that fire is central to cooking. Every day, restaurants, cafes, bakeries, and commercial kitchens use it to create a myriad of delicacies. However, the liberal use of fire and the presence of combustible substances like oil make it a vulnerable spot for accidents to flare up.

Ceasefire’s Wet Chemical-based Fire Extinguishers are designed especially to fight oil and fat fires in kitchens. The extinguishing chemical is a foaming agent that fights Class A, B, and F fires. It is also environmentally friendly as it’s more than 99% biodegradable! When launched at a fire, the wet chemical extinguishing agent has a blanketing effect on the flames, cutting down the supply of oxygen and cooling the oil below the self-ignition point. Being a de-greasing substance, the extinguishing agent ensures that the kitchen can be cleaned easily post-fire.



## ENGINEERING DRAWINGS





TECHNICAL SPECIFICATIONS

Product Code	UOM	CF-000800	CF-000801	CF-000802	CF-001180	CF-000780
<b>Description</b>	—	Fire Ext Wet Chemical 3L MS SP Red	Fire Ext Wet Chemical 6L MS SP Red	Fire Ext Wet Chemical 9L MS SP Red	Fire Ext Wet Chemical 3L SS SP Chrome	Fire Ext Wet Chemical 3L SS SP Red
<b>Capacity of Agent</b>	L	3-5%	6-5%	9-5%	3-5%	3-5%
<b>Certification</b>	—	PED EN3	PED EN3	PED EN3	PED EN3	PED EN3
<b>Diameter of Shell</b>	MM	140	160	175	140	140
<b>Total Height (approx.)</b>		435	520	615	435	435
<b>MOC of Shell</b>	—	Steel Cr2 (DC01)	Steel CR2 (DC01)	Steel Cr2 (DC01)	SS 304 (1.4301)	Steel Cr2 (DC01)
<b>Mini. Wall Thickness</b>	MM	1.2	1.6	2.0	1.5	1.5
<b>Test Pressure</b>	BAR	35	35	35	35	35
<b>Anti-Corrosive Treatment</b>	—	Outer surfaces were EP Powder coated having Thickness 50 Micron Min. RAL Shade 3000	Outer surfaces were EP Powder coated having Thickness 50 Micron Min. RAL Shade 3000	Outer surfaces were EP Powder coated having Thickness 50 Micron Min. RAL Shade 3000	Outer surfaces were EP Powder coated having Thickness 50 Micron Min. RAL Shade 3000	Outer surfaces were EP Powder coated having Thickness 50 Micron Min. RAL Shade 3000
<b>Service Pressure</b>	BAR	15	15	15	15	15
<b>Type of Operating Mechanism</b>	—	Squeeze Grip with NRV and Burst Disc.	Squeeze Grip with NRV and Burst Disc.	Squeeze Grip with NRV and Burst Disc.	Squeeze Grip with NRV and Burst Disc.	Squeeze Grip with NRV and Burst Disc.
<b>Type of Pressure Gauge</b>	—	Magnetic Bourdon Tube Type	Magnetic Bourdon Tube Type	Magnetic Bourdon Tube Type	Magnetic Bourdon Tube Type	Magnetic Bourdon Tube Type
<b>Type of Dis. Fitting &amp; Length</b>	MM	EPDM Rubber Braided Hose Pipe with nozzle Length of Hose 300mm (Min.)	EPDM Rubber Braided Hose Pipe with nozzle Length of Hose 400mm (Min.)	EPDM Rubber Braided Hose Pipe with nozzle Length of Hose 400mm (Min.)	EPDM Rubber Braided Hose Pipe with nozzle Length of Hose 300mm (Min.)	EPDM Rubber Braided Hose Pipe with nozzle Length of Hose 300mm (Min.)
<b>Throw</b>	METER	3	3	3	3	3

Product Code	UOM	CF-000800	CF-000801	CF-000802	CF-001180	CF-000780
Min. Discharge Time	SEC.	9	9	9	9	9
Fire Rating	—	8A   40F	13A   75F	21A   75F	8A   40F	8A   40F
Operating Temperature Range	°C	From +5°C to +60°C	From +5°C to +60°C	From +5°C to +60°C	From +5°C to +60°C	From +5°C to +60°C
Applicable to Type of Fire	—	A, F & Electrical Started Fire	A, F & Electrical Started Fire	A, F & Electrical Started Fire	A, F & Electrical Started Fire	A, F & Electrical Started Fire
Filled Weight Range*	KG	Approx. 6.30	Approx. 11.60	Approx. 16.90	Approx. 7.10	Approx. 7.10
Packed Weight Range (approx)**	KG	7.8	12.6	18.6	7.8	7.8
Packed Size Length x Width x Height	MM	175 x 175 x 515	175 x 175 x 585	190 x 195 x 650	175 x 175 x 515	175 x 175 x 515
Product Warranty	YEAR	5	5	5	5	5

\*It includes Empty Extinguisher, Contents, Plastic Base, Hose / Horn and bracket.

\*\*It includes Empty Extinguisher, Packaging, Contents, Plastic Base, Hose / Horn and bracket.



3 L



6 L



9 L



## TECHNICAL SPECIFICATIONS

Product Code	UOM	CF-001181	CF-000719	CF-001182	CF-000720
Description	—	Fire Ext Wet Chemical 6L SS SP Chrome	Fire Ext Wet Chemical 6L SS SP Red	Fire Ext Wet Chemical 9L SS SP Chrome	Fire Ext Wet Chemical 9L SS SP Red
Capacity of Agent	L	6-5%	6-5%	9-5%	9-5%
Certification	—	PED EN3	PED EN3	PED EN3	PED EN3
Diameter of Shell	MM	160	160	175	175
Total Height (approx.)	MM	520	520	610	610
MOC of Shell	—	SS 304 (1.4301)	SS 304 (1.4301)	SS 304 (1.4301)	SS 304 (1.4301)
Mini. Wall Thickness	MM	1.5	1.5	1.5	1.5
Test Pressure	BAR	35	35	35	35
Anti-Corrosive Treatment	—	Outer surfaces were EP Powder coated having Thickness 50 Micron Min. RAL Shade 3000	Outer surfaces were EP Powder coated having Thickness 50 Micron Min. RAL Shade 3000	Outer surfaces were EP Powder coated having Thickness 50 Micron Min. RAL Shade 3000	Outer surfaces were EP Powder coated having Thickness 50 Micron Min. RAL Shade 3000
Service Pressure	BAR	15	15	15	15
Type of Operating Mechanism	—	Squeeze Grip with NRV and Burst Disc.	Squeeze Grip with NRV and Burst Disc.	Squeeze Grip with NRV and Burst Disc.	Squeeze Grip with NRV and Burst Disc.
Type of Pressure Gauge	—	Magnetic Bourdon Tube Type	Magnetic Bourdon Tube Type	Magnetic Bourdon Tube Type	Magnetic Bourdon Tube Type

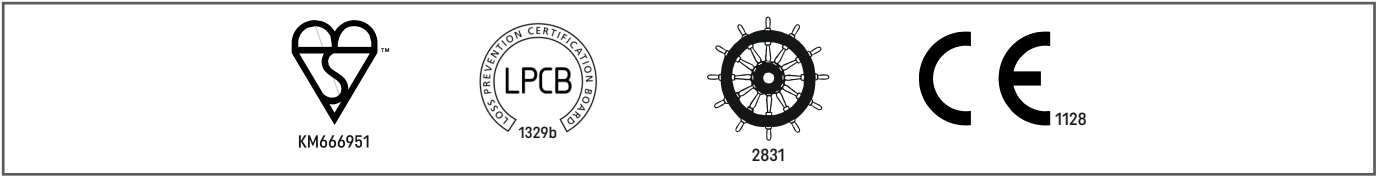


Product Code	UOM	CF-001181	CF-000719	CF-001182	CF-000720
<b>Type of Dis. Fitting &amp; Length</b>	MM	EPDM Rubber Braided Hose Pipe with nozzle Length of Hose 400mm (Min.)	EPDM Rubber Braided Hose Pipe with nozzle Length of Hose 400mm (Min.)	EPDM Rubber Braided Hose Pipe with nozzle Length of Hose 400mm (Min.)	EPDM Rubber Braided Hose Pipe with nozzle Length of Hose 400mm (Min.)
<b>Throw</b>	METER	3	3	3	3
<b>Min. Discharge Time</b>	SEC.	9	9	9	9
<b>Fire Rating</b>	—	13A   75F	13A   75F	21A   75F	21A   75F
<b>Operating Temperature Range</b>	°C	From +5°C to +60°C	From +5°C to +60°C	From +5°C to +60°C	From +5°C to +60°C
<b>Applicable to Type of Fire</b>	—	A, F & Electrical Started Fire	A, F & Electrical Started Fire	A, F & Electrical Started Fire	A, F & Electrical Started Fire
<b>Filled Weight Range*</b>	KG	Approx. 12.30	Approx. 12.30	Approx. 16.50	Approx. 17.40
<b>Packed Weight Range (approx)**</b>	KG	12.94	12.94	18.6	18.6
<b>Packed Size Length x Width x Height</b>	MM	175 x 175 x 585	175 x 175 x 585	190 x 195 x 650	190 x 195 x 650
<b>Product Warranty</b>	YEAR	5	5	5	5

\*It includes Empty Extinguisher, Contents, Plastic Base, Hose / Horn and bracket.

\*\*It includes Empty Extinguisher, Packaging, Contents, Plastic Base, Hose / Horn and bracket.

**CERTIFICATIONS**



**PRODUCT PICTURES**



3 L

6 L

9 L

\*v1' Published Date is 31-07-2022.

\*\*Regular R&D and product improvisations may lead to change in product specifications in this data sheet, without any prior notice.