

# ABC POWDER PORTABLE EXTINGUISHERS (MAP 90) STORED PRESSURE

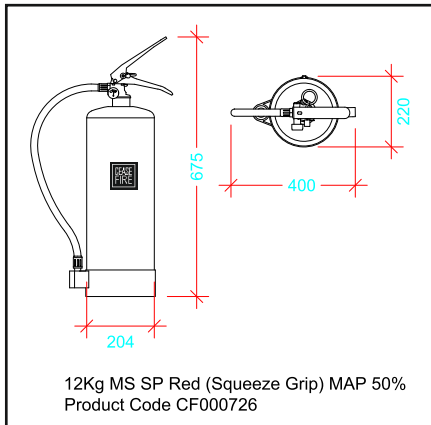
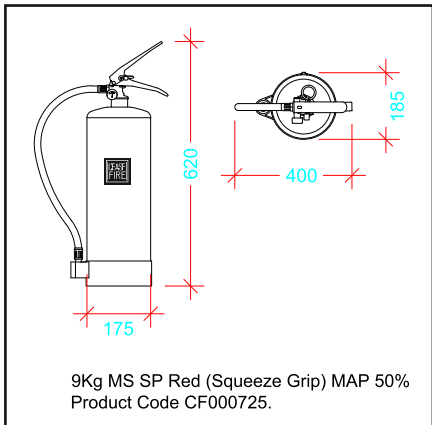
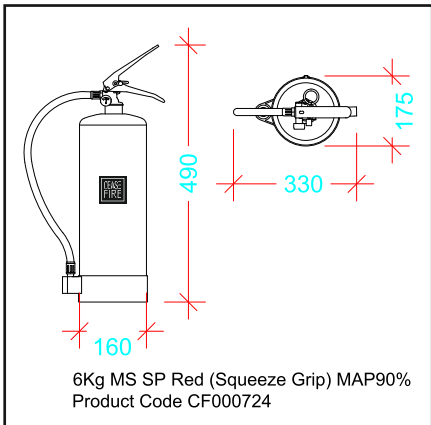
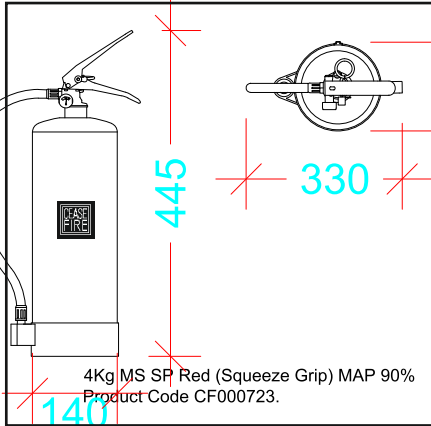
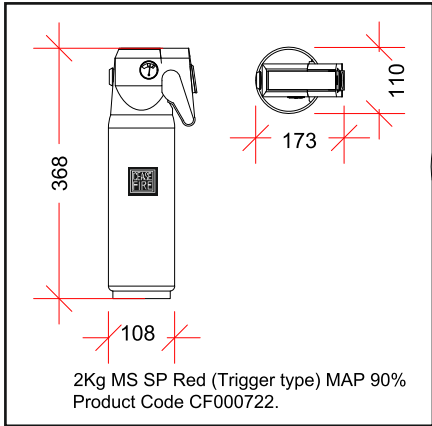
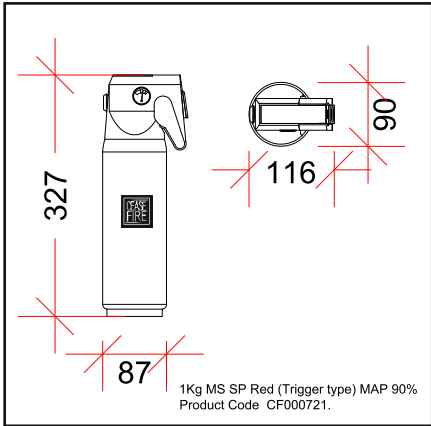
## PRODUCT OVERVIEW

Fires can strike anytime and any place. In the fight against fire, speed is the key. The quickly one dozes off the fire, the better the chances of controlling fire and its associated damage. To prevent any kind of casualties from taking place a fire extinguisher act as the first line of defence against fire. ABC MAP 90 portable fire extinguishers contain the highest concentration i.e. 90% of Mono Ammonium Phosphate.

This makes these extinguishers the most potent and effective against fire. When sprayed on a burning surface, it absorbs the heat, melts, and fuses to form a thin, transparent layer thereby, cutting off the oxygen to prevent re-ignition. ABC MAP 90 fire extinguishers work on classes A, B, C, and Electrically started fires.



## ENGINEERING DRAWINGS





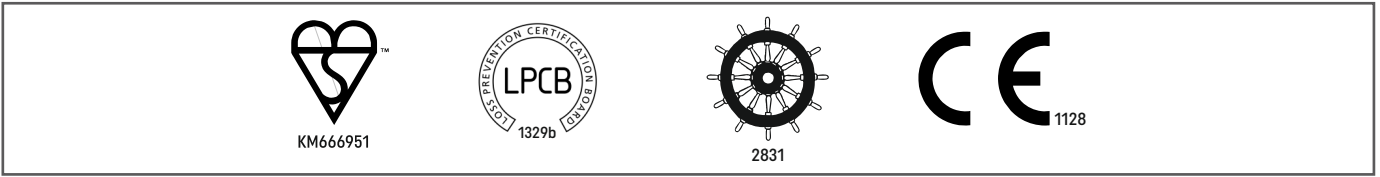


| Product Code                               | UOM   | CF-000721                          | CF-000722                          | CF-000723   | CF-000724   | CF-000725   | CF-000726   |
|--|-------|------------------------------------|------------------------------------|---|---|---|---|
| <b>Type of Dis. Fitting &amp; Length</b>   | MM    | Direct Nozzle                      | Direct Nozzle                      | EPDM Rubber Braided Hose Pipe with a nozzle Length of Hose 440 mm | EPDM Rubber Braided Hose Pipe with a nozzle Length of Hose 450 mm | EPDM Rubber Braided Hose Pipe with a nozzle Length of Hose 680 mm | EPDM Rubber Braided Hose Pipe with a nozzle Length of Hose 760 mm |
| <b>Throw</b>                               | METER | 3                                  | 3.5                                | 4   | 6   | 7   | 7   |
| <b>Min. Discharge Time</b>                 | SEC.  | 9                                  | 10                                 | 15  | 17  | 17  | 27  |
| <b>Fire Rating</b>                         | —     | 5A   21A                           | 13A   55B                          | 21A   144B  | 27A   183B  | 43A   233B  | 55A   233B  |
| <b>Operating Temperature Range</b>         | °C    | From -30°C to +60°C                | From -30°C to +60°C                | From -30°C to +60°C   | From -30°C to +60°C   | From -30°C to +60°C   | From -30°C to +60°C   |
| <b>Applicable to Type of Fire</b>          | —     | A, B, C, & Electrical Started Fire | A, B, C, & Electrical Started Fire | A, B, C, & Electrical Started Fire                                | A, B, C, & Electrical Started Fire                                | A, B, C, & Electrical Started Fire                                | A, B, C, & Electrical Started Fire                                |
| <b>Filled Weight Range*</b>                | KG    | 2.20 to 2.30                       | 3.54 to 3.66                       | 6.71 to 6.87  | 9.12 to 9.36  | 14.54 to 14.90  | Approx. 19.90   |
| <b>Packed Weight Range (approx)**</b>      | KG    | 2.68                               | 4.2                                | 7.45  | 10.1  | 15.5  | 19.85   |
| <b>Packed Size Length x Width x Height</b> | MM    | 125 x 115 x 400                    | 130 x 140 x 415                    | 160 x 160 x 470   | 175 x 175 x 715   | 190 x 195 x 650   | 215 x 215 x 715   |
| <b>Product Warranty</b>                    | YEAR  | 5                                  | 5                                  | 5   | 5   | 5   | 5   |

\*It includes Empty Extinguisher, Contents, Hose / Nozzle and trolley.

\*\*It includes Empty Extinguisher, Packaging, Contents, Hose / Nozzle and trolley.

## CERTIFICATIONS



## PRODUCT PICTURES



1 KG

2 KG

4 KG

6 KG

9 KG

12 KG

\*v1' Published Date is 31-07-2022.

\*\*Regular R&D and product improvisations may lead to change in product specifications in this data sheet, without any prior notice.