

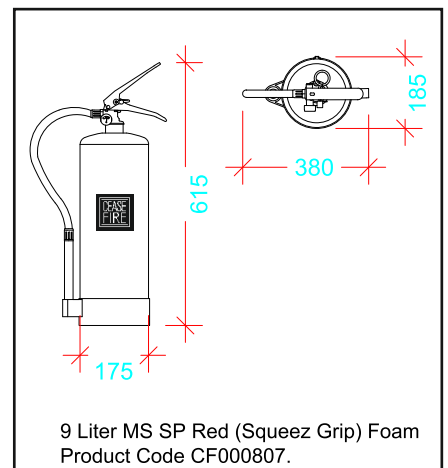
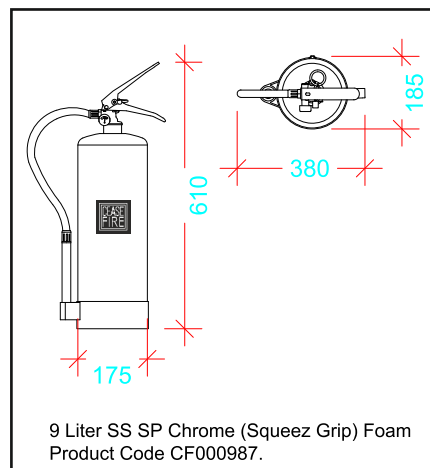
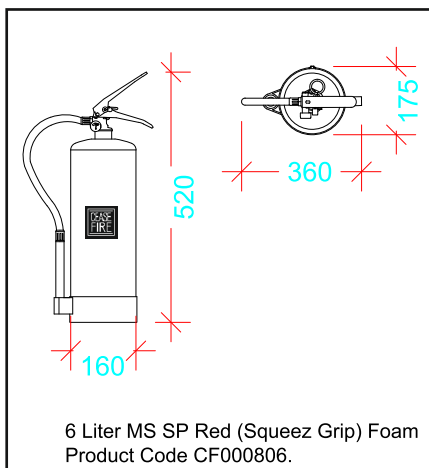
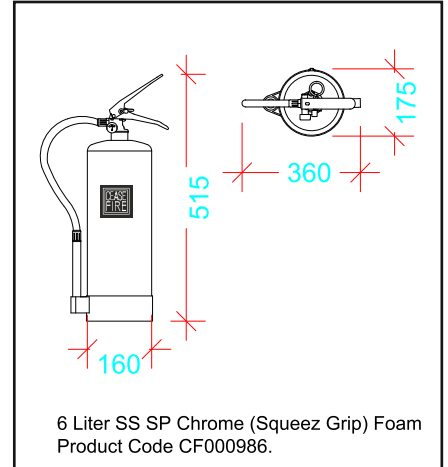
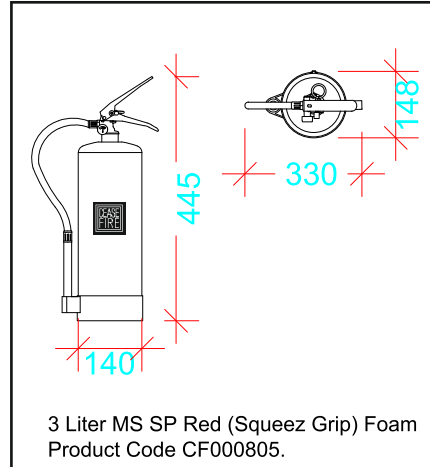
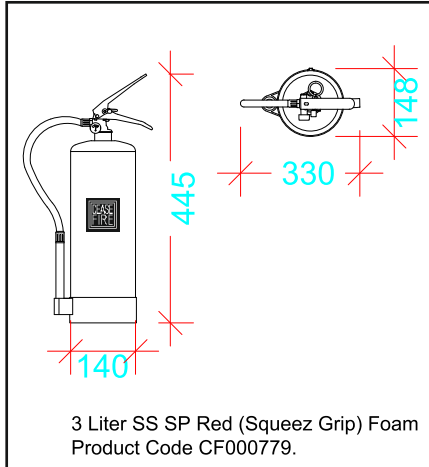
FOAM-BASED PORTABLE EXTINGUISHERS

PRODUCT OVERVIEW

Ceasefire's Foam extinguishers use the squeeze grip mechanism, making them faster and easier to use. The proprietary stored pressure technology also delivers high power throw, making these extinguishers extremely effective. The quickest way to kill a fire is to not let it feed off the oxygen in the vicinity. Ceasefire's Foam-based extinguishers use a chemical foam that blankets the flames and cuts off the oxygen supply. While they are effective against Class A and B fires, they are ideal for use on burning liquids like oil and petrol.



ENGINEERING DRAWINGS

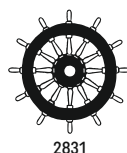


| Product Code | UOM | CF-000779 | CF-000805 | CF-000986 | CF-000806 | CF-000987 | CF-000807 |
|--|-------|---|---|---|---|---|---|
| Type of Dis. Fitting & Length | MM | EPDM Rubber Braided Hose Pipe with nozzle Length of Hose 300mm (Min.) | EPDM Rubber Braided Hose Pipe with nozzle Length of Hose 300mm (Min.) | EPDM Rubber Braided Hose Pipe with nozzle Length of Hose 500mm (Min.) | EPDM Rubber Braided Hose Pipe with nozzle Length of Hose 500mm (Min.) | EPDM Rubber Braided Hose Pipe with nozzle Length of Hose 500mm (Min.) | EPDM Rubber Braided Hose Pipe with nozzle Length of Hose 500mm (Min.) |
| Throw | METER | 5 | 5 | 5 | 5 | 6 | 6 |
| Min. Discharge Time | SEC. | 9 | 9 | 15 | 15 | 15 | 15 |
| Fire Rating | — | 8A 89B | 8A 89B | 13A 144B | 13A 144B | 21A 233B | 21A 233B |
| Operating Temperature Range | °C | From +5°C to +60°C | From +5°C to +60°C | From +5°C to +60°C | From +5°C to +60°C | From +5°C to +60°C | From +5°C to +60°C |
| Applicable to Type of Fire | — | A, B | A, B | A, B | A, B | A, B | A, B |
| Filled Weight Range* | KG | Approx. 6 | Approx. 5.30 | Approx. 9.50 | Approx. 9.30 | Approx. 13.30 | Approx. 13.30 |
| Packed Weight Range (approx)** | KG | Approx. 7 | Approx. 6 | Approx. 10.2 | Approx. 10.1 | Approx. 14 | Approx. 15.3 kg |
| Packed Size Length x Width x Height | MM | 160 x 160 x 470 | 160 x 160 x 470 | 230 x 220 x 670 | 230 x 220 x 670 | 190 x 195 x 650 | 190 x 195 x 650 |
| Product Warranty | YEAR | 5 | 5 | 5 | 5 | 5 | 5 |

*It includes Empty Extinguisher, Contents, Hose / Nozzle and trolley.

**It includes Empty Extinguisher, Packaging, Contents, Hose / Nozzle and trolley.

CERTIFICATIONS



PRODUCT PICTURES



3 L

6 L

6 L

9 L

9 L

*v1' Published Date is 31-07-2022.

**Regular R&D and product improvisations may lead to change in product specifications in this data sheet, without any prior notice.